



ALLOY LINER



STURDY HANDLES



WIRE STORAGE BASKET



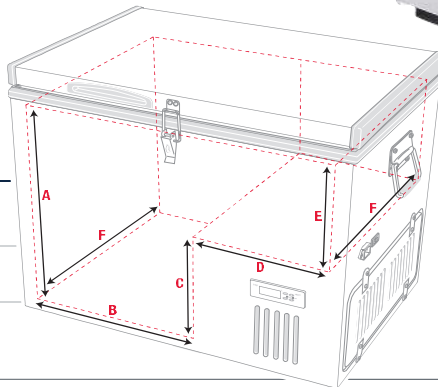
DIGITAL CONTROL PANEL



WIRELESS REMOTE TEMPERATURE READ OUT

INTERNAL SIZE

- | | |
|----------|----------|
| A: 388mm | D: 200mm |
| B: 426mm | E: 188mm |
| C: 200mm | F: 400mm |



SPECIFICATION

- Volume: 80lt gross capacity
- Weight: 30kg
- External Size: 790L x 590W x 585H mm (includes handles)



POWER

- Input Voltage: 12/24V DC & 240V AC
- Nominal Current: 5A at 12V DC
- 2.5A at 24V DC
- 0.5A at 240V AC
- Average 12V DC Consumption: 2.20A/hr



COOLING SYSTEM

- Refrigerant: R134a
- Compressor: Polar® Hermetic DC operation



CABINET

- Exterior: Fingerprint proof stainless steel
- Internal: Aluminium
- Insulation: 50mm polyurethane

